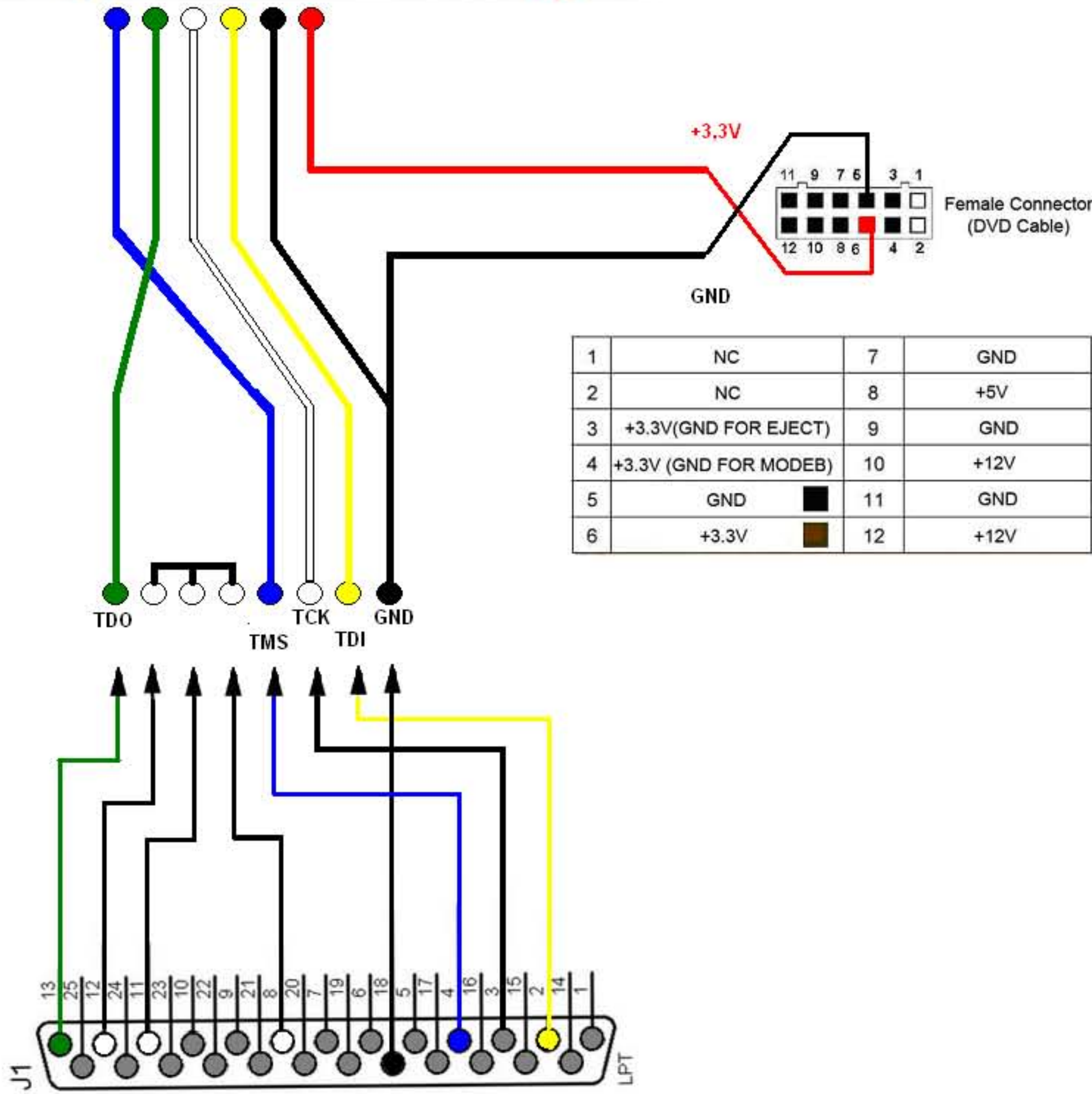
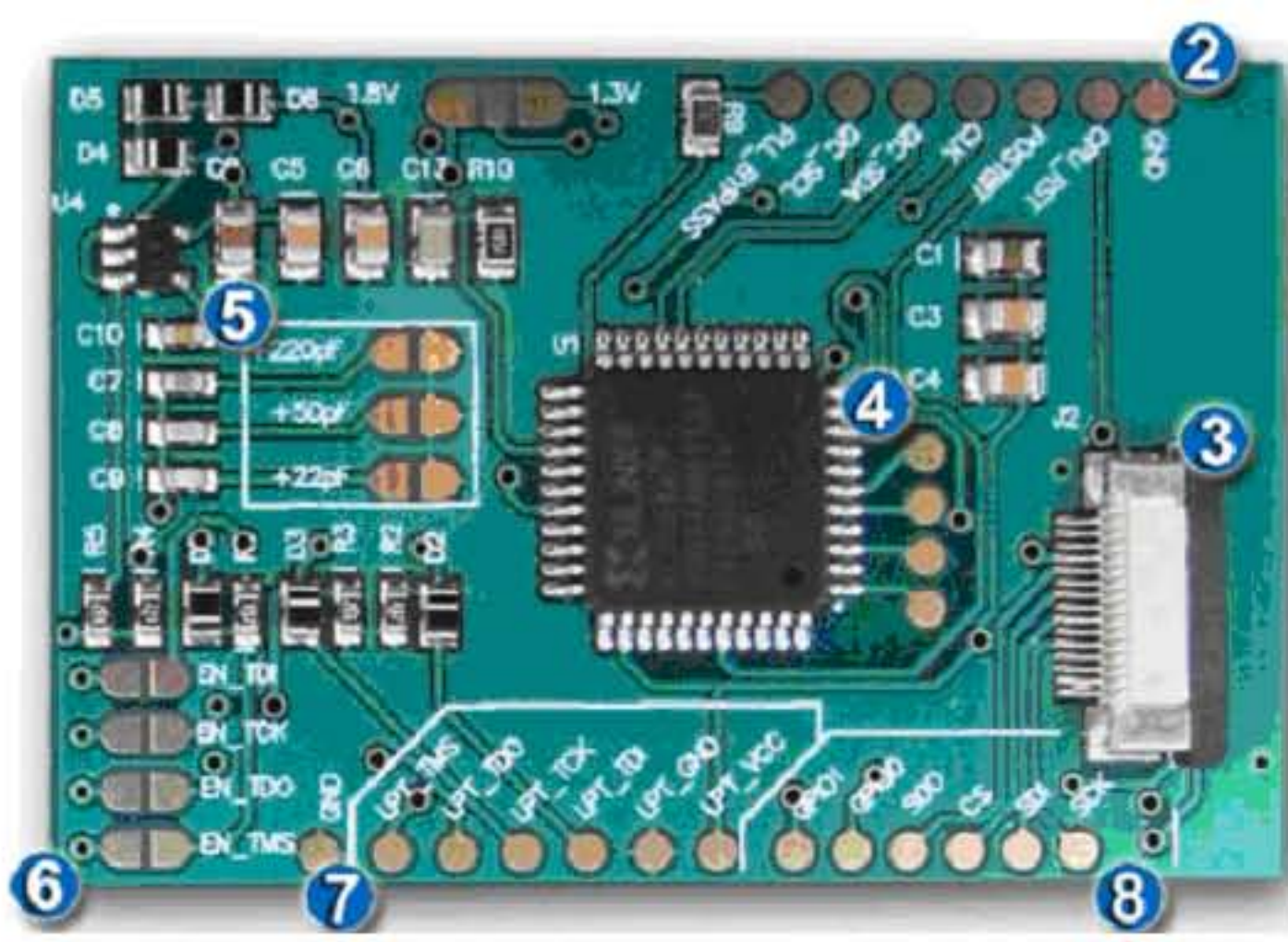


CAVO DI PROGRAMMAZIONE 360 SQUIRT VIA LPT



1	NC	7	GND
2	NC	8	+5V
3	+3.3V(GND FOR EJECT)	9	GND
4	+3.3V (GND FOR MODEB)	10	+12V
5	GND	11	GND
6	+3.3V	12	+12V

CONNECTIVITY KIT

