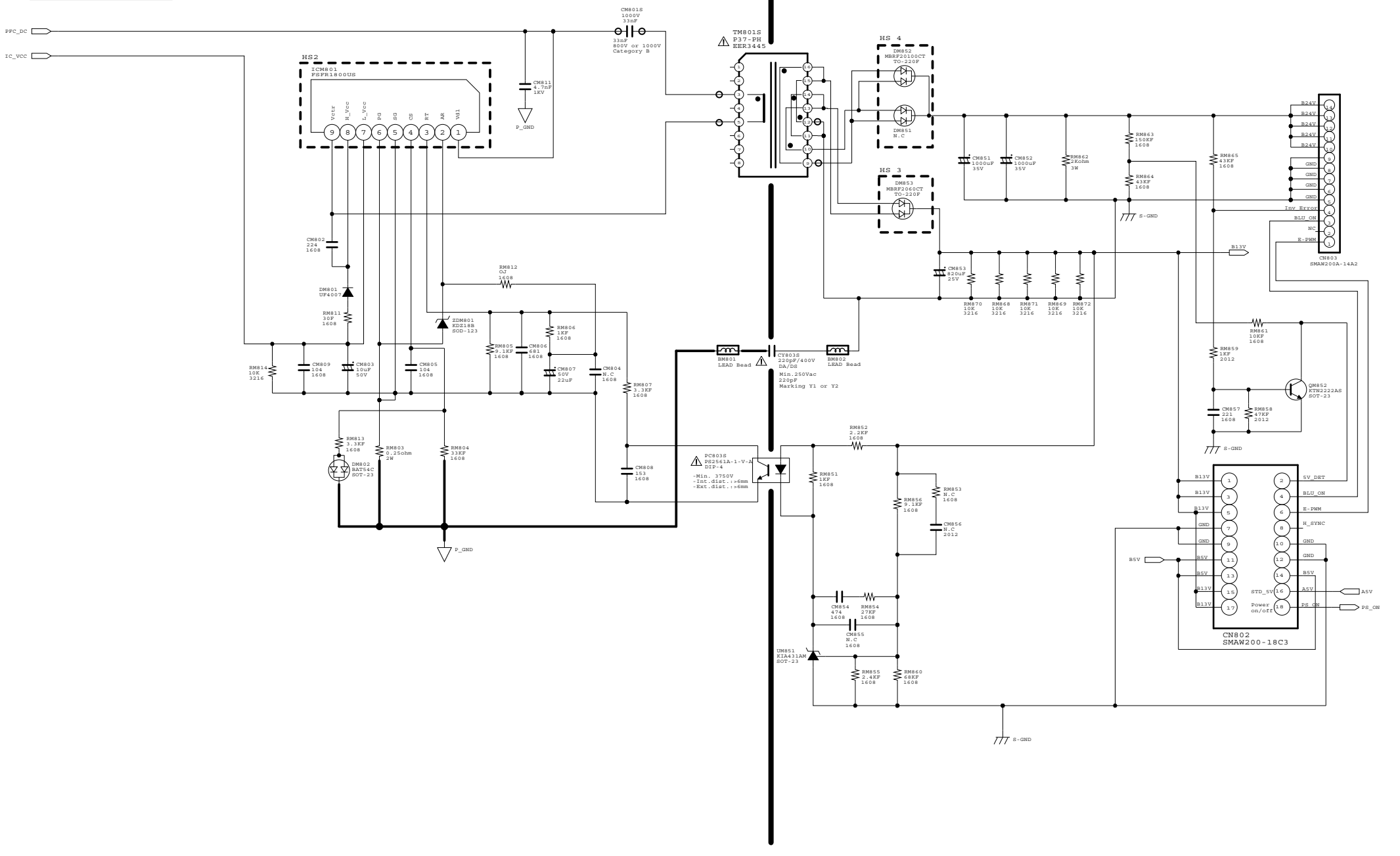


NOTE  
N.C : No Connection



USER SAMSUNG ELECTRONICS		DATE 2010.03.10
MODEL NAME SEC P/N : BN44-00339A	SCALE	DRAWN N.J.PARK
PDM NUMBER	REVISION REV R.D	CHECKED Y.S.NOH
PSLF211401A (P3237F1_ASM)	LEVEL	APPROVED H.G.CHOI

MAIN BLOCK



NOTE  
N.C : No Connection



USER SAMSUNG ELECTRONICS		DATE 2010.03.10
MODEL NAME SEC P/N : BN44-00339A	SCALE	DRAWN N.J.PARK
PDM NUMBER	REVISION REV R.D	CHECKED Y.S.NOH
PSLF211401A (P3237F1_ASM)	LEVEL	APPROVED H.G.CHOI